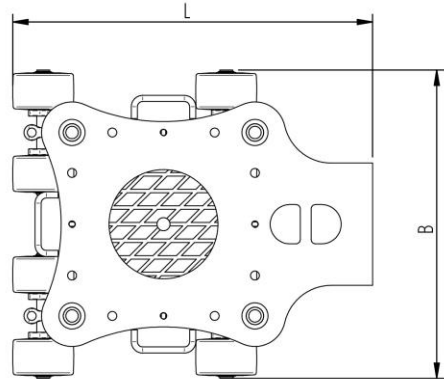
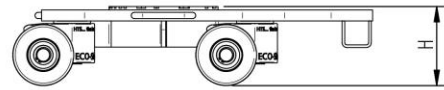


Fact sheet **ECO-Skate** RFXN12

ROTO Load moving system, 360 ° rotatable, 3-/4- load points

HTS



Specification:

Heavy-duty load moving system (360°) for the professional indoor heavy load transport on clean, smooth and level floors, incl. individually rotatable high-quality HTS Nylon wheels (abrasion-resistant, non-marking), anti slip rubber pad and attachment for alignment bars or pulling bars in various versions. Multifunctional and flexible due to the ability of block the wheels boxes with pins. It can be used like a fixed rear skates, equipped with an additional turntable like a steerable skate. In combination with an L-, S- or DUO load moving system with the same installation height, it forms a safe overall system with 3 load points (with secured load also as a 4-point system if the operating instructions are observed).

Technical data of load moving system:

# 10 120 03 41	Ø 250 mm	12,0 x 45 = 540 mm ² ▼ 46,3 MPa
MAT NY, 80 Shore D	L x B x H 830 x 710 x 180 mm	43,2 cm ²
12000 daN	D = 1620 mm V = 1000 - 1440 mm	500 daN*
# 8	116 kg	400 daN*

Equipped with the following wheel:

# 11 140 10 25R	12,0 x 45 = 540 mm ² ▼ 46,3 MPa
MAT NY, 80 Shore D	2500 daN
Ø140x86 - Ø30 mm	V _{max} = 2 km/h



Please always observe the operating instructions, their safety instructions and local conditions!

# Part No.	# Number of wheels	Ø Load Area in mm	Area mm ² of the roller surface pressure ▼ N / mm ²	→ Traction* in daN, required force to move the load at a steady speed of 2 km/h under ideal conditions
MAT Wheel material layer, core: AL Aluminium, NY Nylon PU Polyurethane, ST Steel	Dimensions of wheel, inside ball bearing diameter mm	Dimensions in mm L x B x H	Loaded area per skate in cm ²	→ Starting resistance* in daN, required force to start moving, under ideal conditions
Carrying Capacity of load moving skate in daN at 2km/h max.	Weight kg	Steering bar length D for L, adjustability V for S and DUO skate systems		* Varies depending on the tolerances of the floor and ambient situation. All information without guarantee.